

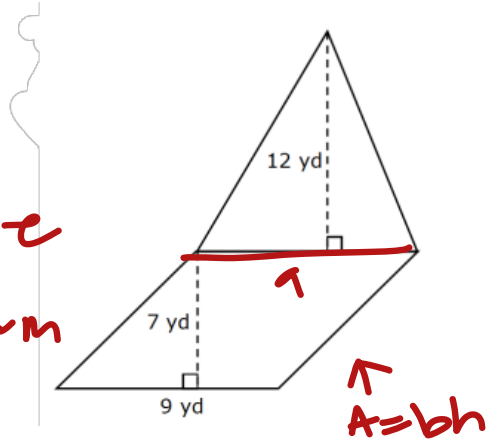
Name: Noelle Cohagen

Period: 8th

COMPOSITE FIGURES PRACTICE

1. Write out the steps for finding the area of the shape below.

- 1: find area of triangle
- 2: find area of parallelogram
- 3: Add areas



2. Find the area of the shape.

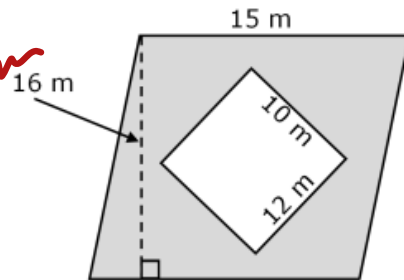
$$1: A = \frac{9(12)}{2} = \frac{108}{2} = 54$$

$$2: A = 9(7) = 63$$

$$3: 54 + 63 = 117 \text{ yd}^2$$

3. Write out the steps for finding the area of the shaded region.

- 1: find area of parallelogram
- 2: find area of rectangle
- 3: Subtract
parallelogram - \square



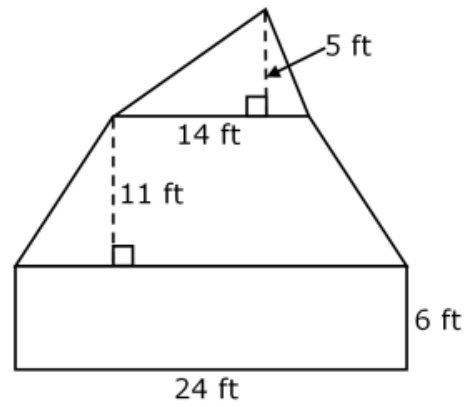
4. Find the area of the shaded region.

$$1: A =$$

$$2: A = 10(12) = 120$$

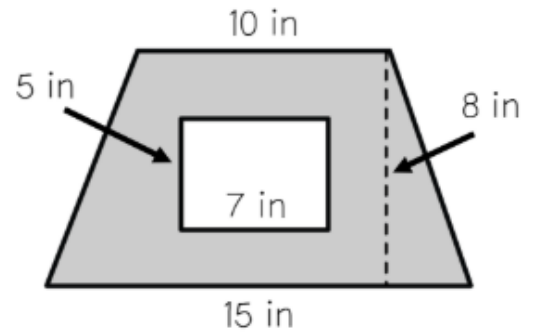
3:

5. Write out the steps for finding the area of the figure.



6. Find the area of the figure.

7. Write out the steps for finding the area of the shaded region of the figure.



8. Find the area of the shaded region of the figure.